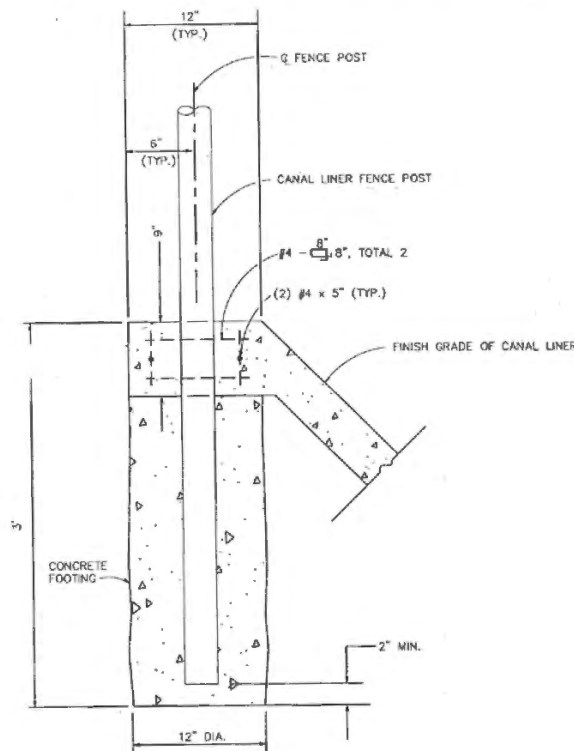


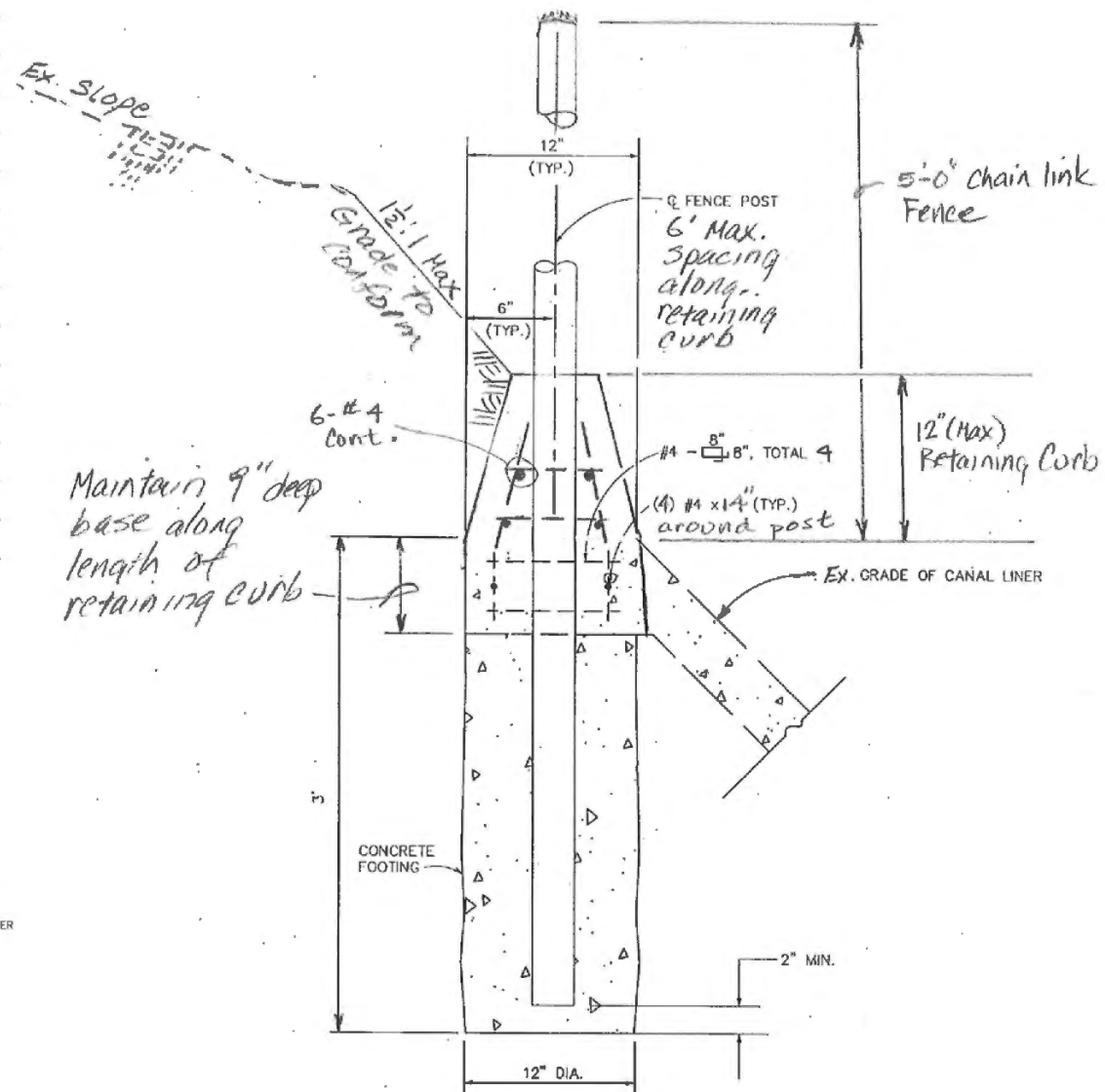
Detail 2-A



FENCE POST INSTALLATION DETAIL

NO SCALE

Detail 2-B



**Retaining Curb
Detail 2-C**