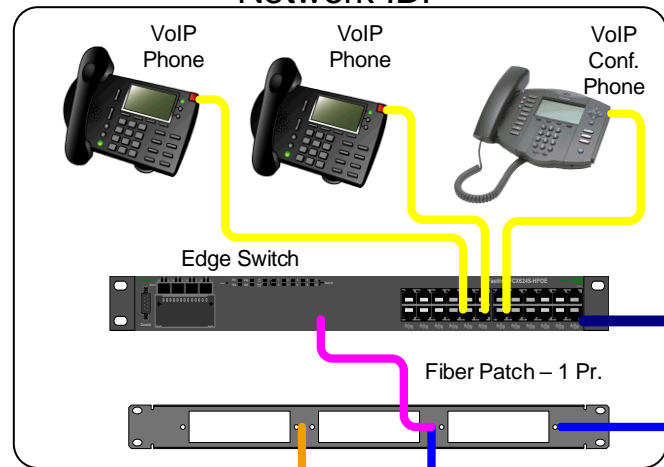
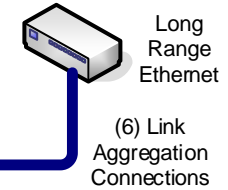


Los Vaqueros Interpretive Center
- Network IDF -



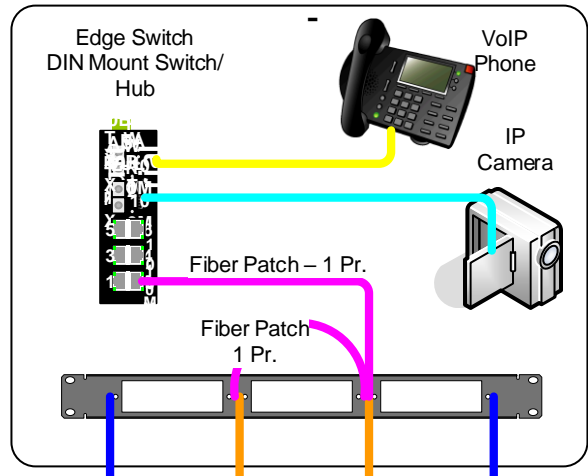
- To LV Office -
Long Range Ethernet
Via
Overhead POTS Cable



- To Transfer Station

(6) Strand Single Mode Fiber -
1 Pair utilized by Corp Data

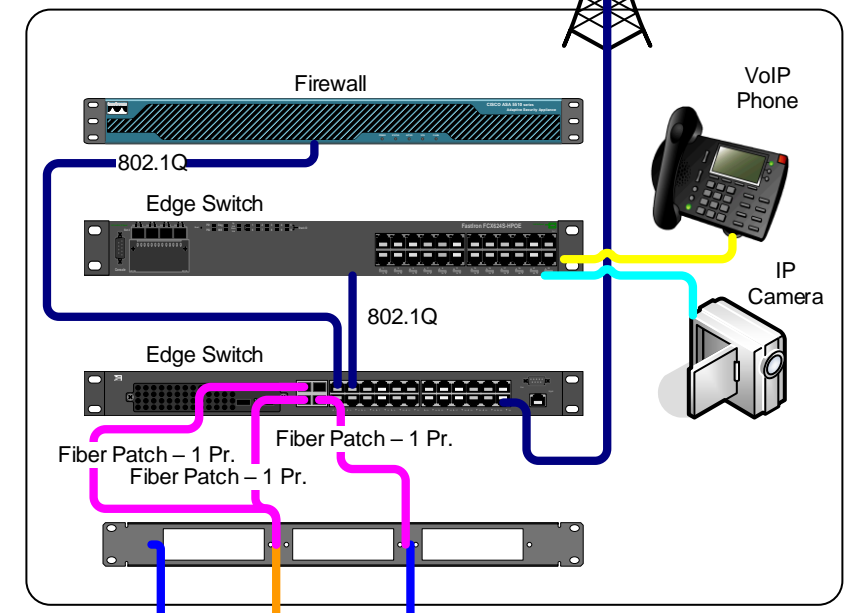
LV Dam Electrical Bldg. - (IDF)



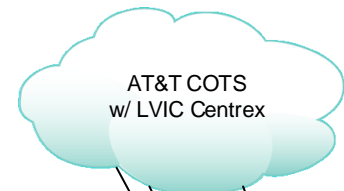
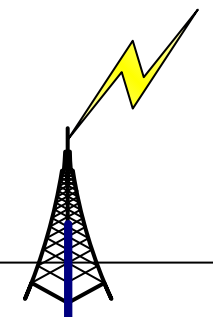
(12) Strand Single Mode Fiber

(12) Strand Multi Mode Fiber- 802.1Q Ethernet

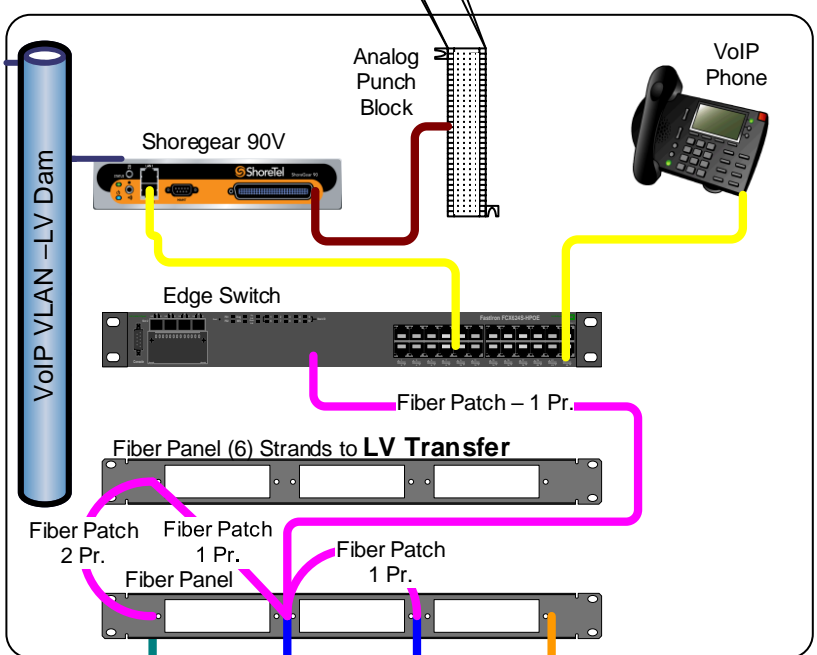
LV Dam Intake Structure
- (MDF) -



- To LV Marina - Radio
Ethernet Bridge

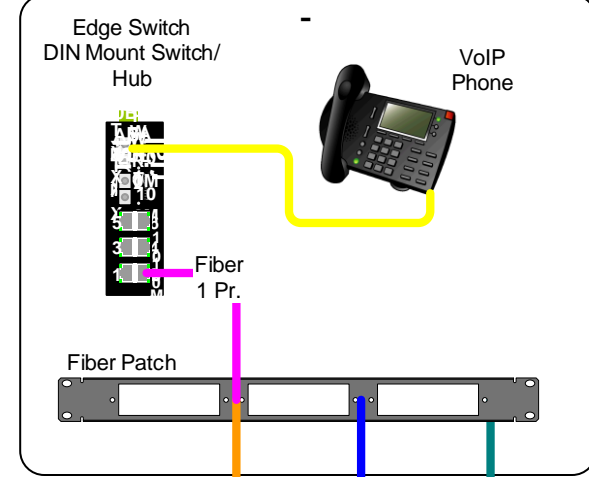


LVIC Water
Treatment Shed
Telco MPOE
(Network IDF)



(24) Strand Single Mode Fiber

LV Dam Outlet Structure - (IDF)



(12) Strand Single Mode Fiber

(12) Strand Multi Mode Fiber- 802.1Q Ethernet

(12) Strand Single Mode Fiber- 802.1Q Trunk

LV Dam Expansion
Shoretel Phone System and Security
DIAGRAM - MARCH 30, 2017